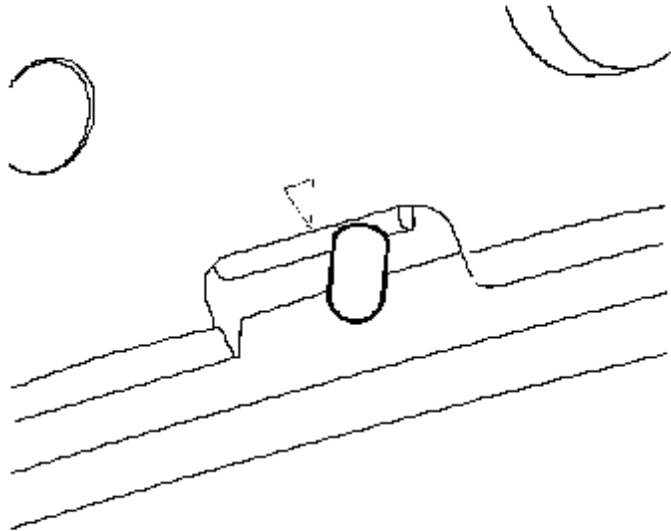


Soft Top, Adjust



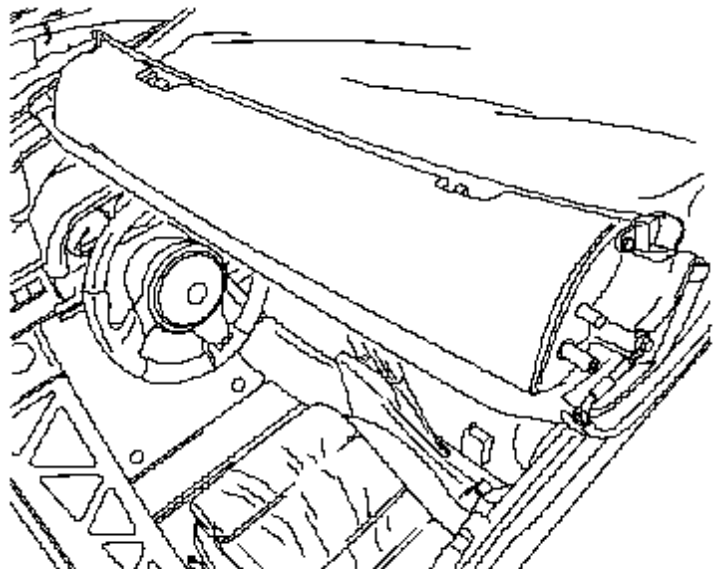
Adjust

1. Open windows and doors
2. Release cant rail latches on left side, then disengage soft top from brackets
 - Release 2x latch



S 0002128

3. Roll soft top cant rail towards centre of vehicle



S 0005753

4. Adjust tension of rear cable
 - Release lock nut (1)
 - Adjust tension as required, then secure lock nut
5. Repeat operation for front cable if required

